



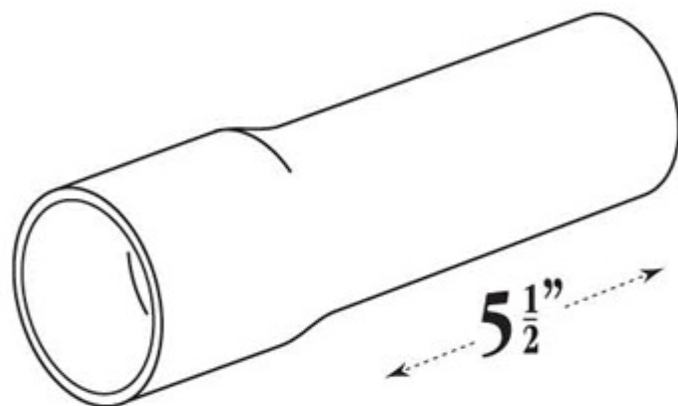
THOMAS CRAPPER & COMPANY.

APPROXIMATE
DIMENSIONS

March '09

Flush-pipe Extension.

Available ex-stock, to increase height or forward projection of flushpipe where required.



Extends flushpipe upto $5\frac{1}{2}$ ".

Can be cut down on site to suit circumstances.



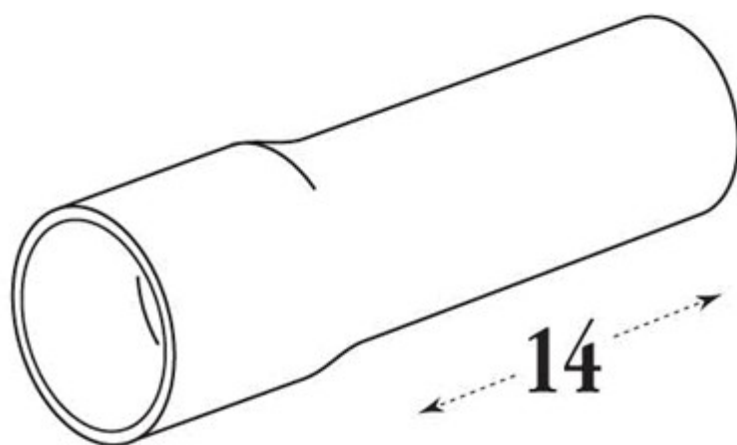
THOMAS CRAPPER & COMPANY.
METRIC MEASUREMENTS, FOR CUSTOMERS OVERSEAS.
IN CENTIMETRES.

APPROXIMATE
DIMENSIONS

March '09

Flush-pipe Extension.

Available ex-stock, to increase height or forward projection of flushpipe where required.



Extends flushpipe upto 14 c/m.

Can be cut down on site to suit circumstances.